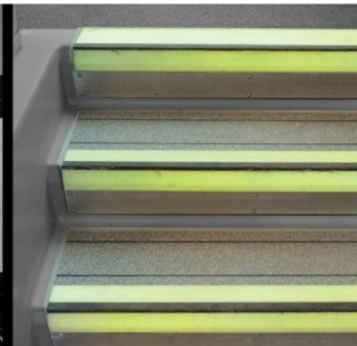


INPS TRANSIT Solutions

A DIVISION OF INPS GROUP



Your single source mass transit solution.

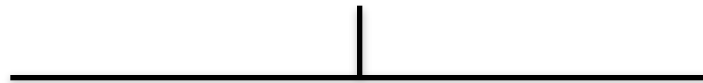


INPS TRANSIT Solutions

A DIVISION OF INPS GROUP



The strong foundation built under this structure means you can be confident that we have the competency and economic background necessary for supporting all our customer needs.





interior components

exterior graphics

HPPL (glow-in-the-dark) capabilities

custom graphic wraps

onsite graphic installation & removal

windows & window gaskets

wayfinding

LOCATIONS

CANADA

London, Ontario
Milton, Ontario

USA

Longview, Texas
Florence, Alabama

MEXICO

Matamoros, Tamaulipas
Monclova, Coahuila
Sahagun, Mexico



INPS **TRANSIT** Solutions

A DIVISION OF INPS GROUP



INPS Services

- Engineering & Conceptual Design
- Prototyping & Testing
- Graphic Design & Artwork

INPS Ongoing Support

- 24 hr production 6 days a week
- Installation by INPS
- Briefing & co-ordination of sub-contractors
- Testing
- Maintenance



interior components



exterior graphics



HPPL (glow-in-the-dark) capabilities



custom graphic wraps



onsite graphic installation & removal



windows & window gaskets



wayfinding

MASS TRANSIT - INTERIOR SOLUTIONS

- Design and manufacture interior components for OEM new build, overhauls and maintenance spares
- Ability to draw expertise from over 12 associated companies
- Serve you with the problem solving capability that you deserve.
- Employing collaborative efforts with the co-operation of sister company business units
- Continuously developing innovative and maintenance friendly solutions
- Experts at any one of their locations are available for all levels of product development and improvement





MASS TRANSIT - INTERIOR SOLUTIONS

- Well-established partners from the bus and rail transit industry who are eager to serve the ever-changing transportation industry
- Encourages change for better product design and maintainability
- Requests submitted by our customers provide us with a better understanding of our customers' needs and wants
- Understanding your needs and wants, we can better cater to you and provide exactly what you need
- Onsite with engineering to solve issues and solutions





interior components

exterior graphics

HPPL (glow-in-the-dark) capabilities

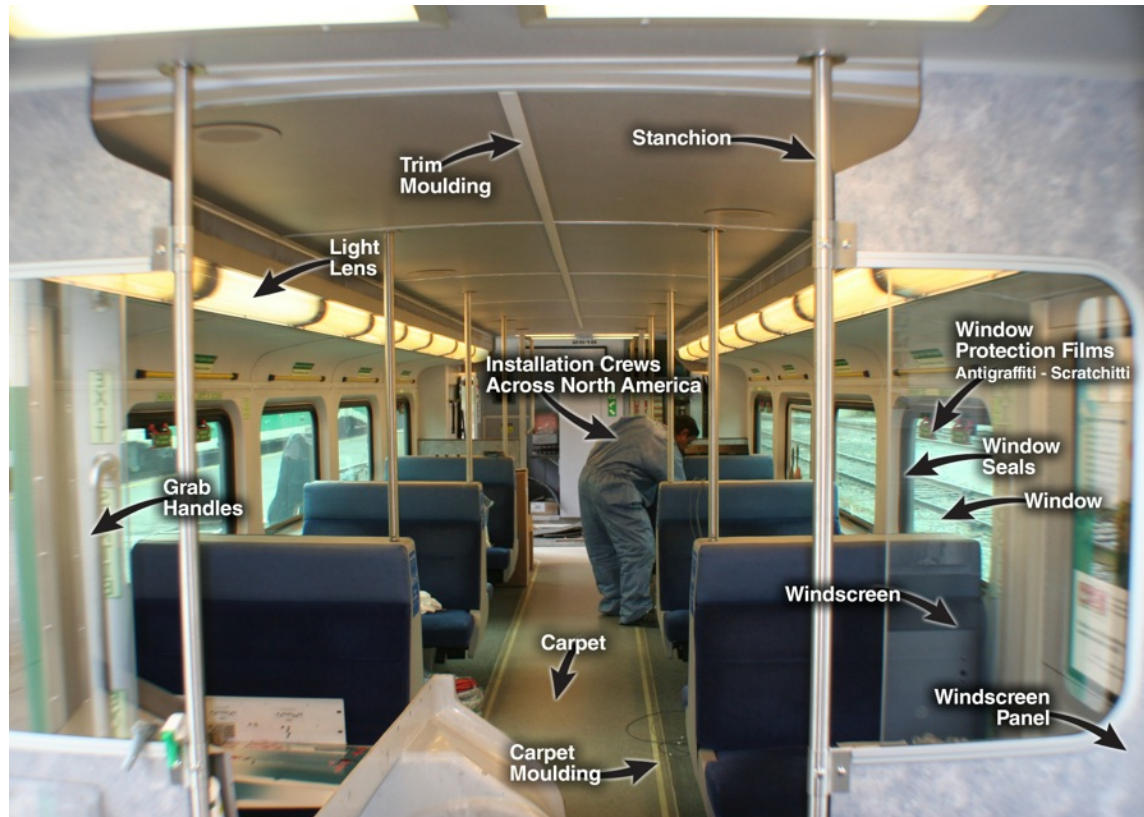
custom graphic wraps

onsite graphic installation & removal

windows & window gaskets

wayfinding

MASS TRANSIT - INTERIOR SOLUTIONS



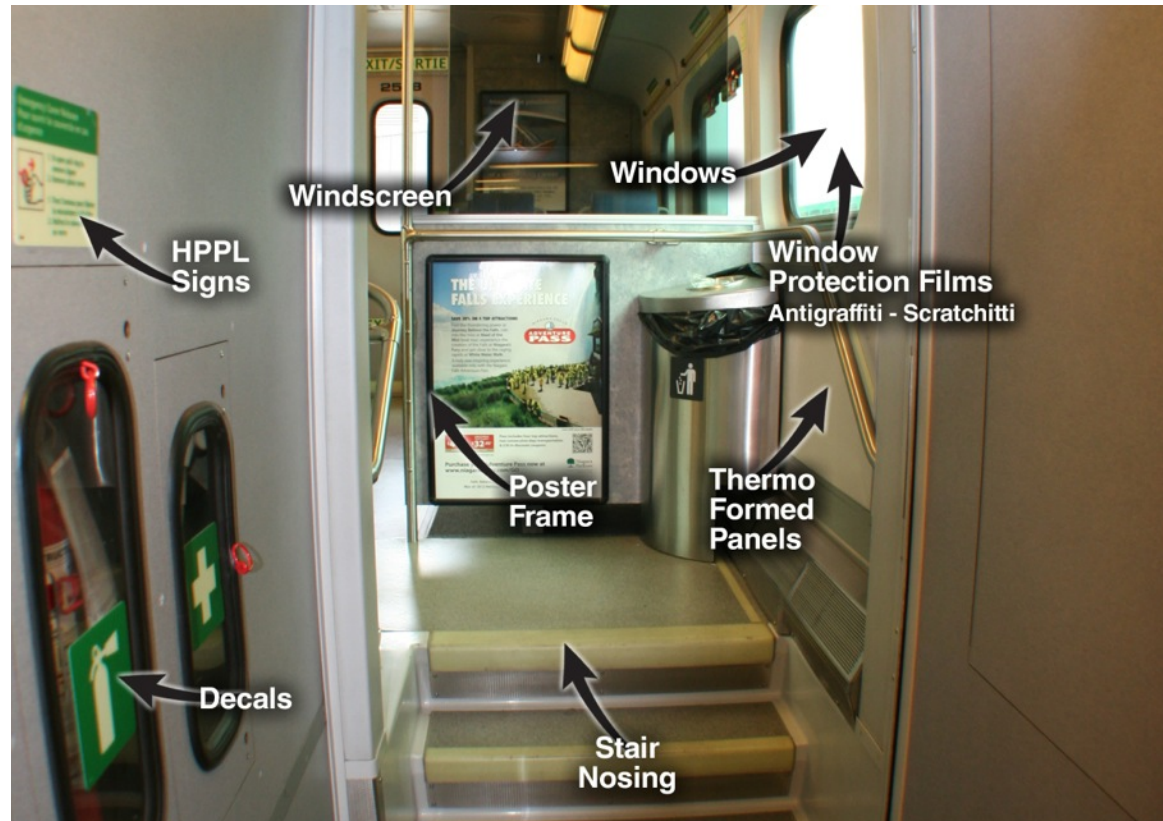


MASS TRANSIT - INTERIOR SOLUTIONS





MASS TRANSIT - INTERIOR SOLUTIONS



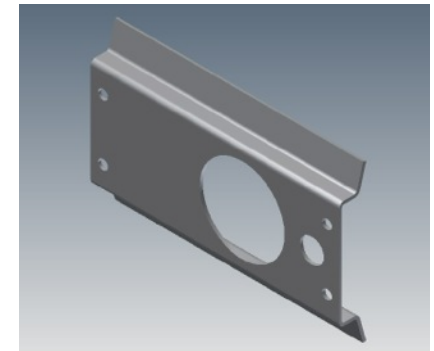
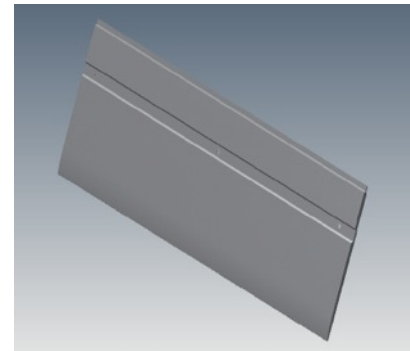


MASS TRANSIT - INTERIOR SOLUTIONS

Panels

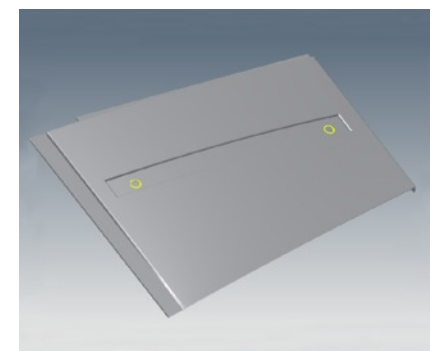
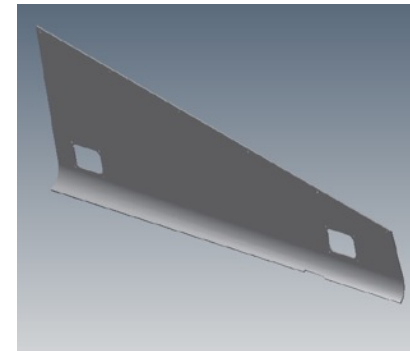
Thermoformed (Vacuum Formed)

- Wall
- Window
- Stairwell
- Lens Pieces



HPL (High Pressure Laminate)

- Ceiling
- Wall





MASS TRANSIT - INTERIOR SOLUTIONS

FRP - Fiberglass Reinforced Plastic

- Wall Panels
- Ceiling Panels
- Washroom Modules
- Toilet Masks
- Window Freezes

These products may be manufactured in custom textures and colours (including precise colour matching). We manufacture our wall panels according to your measurements and exacting specifications, with all cut-outs and future add-ons in mind. Use them to overhaul damaged interiors or create an eye-catching look that your ridership will enjoy.

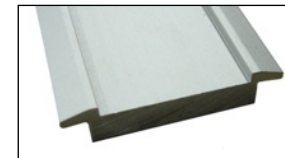
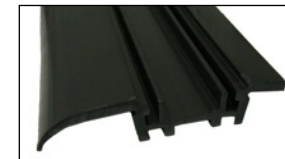
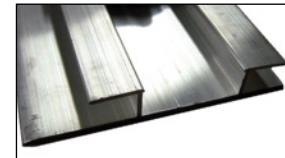




MASS TRANSIT - INTERIOR SOLUTIONS

Specialty Extrusions & Trim

- INPS offers extruded aluminum and various plastic and rubber products.
- We offer both stock and custom extrusions which meet Fire, Smoke and Toxicity requirements for the Transit Industry.





MASS TRANSIT - INTERIOR SOLUTIONS

Trim

- Wall
 - Cover the transition of panels
 - Holds panels in place
 - Angled trim
 - Custom trim
 - Kydex (extruded)
 - Snap concept
- Ceiling





MASS TRANSIT - INTERIOR SOLUTIONS

Windscreen

- Privacy screen
- Rear doors and stairwells
- Prevents wind from the door to reach passengers
- Any color and texture to match existing fleet

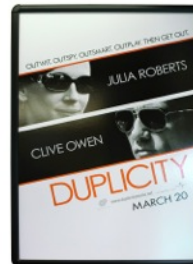




MASS TRANSIT - INTERIOR SOLUTIONS

Advertising Frames

- Snap Advertising Frames made from durable aluminum extrusions
- Standard and custom sizes available
- No tools required
- Available in black or silver
- Round or square corner options
- Simply pull back each side, replace your ad and snap each side closed
- Takes less than 30 seconds to change your ad





interior components



exterior graphics



HPPL (glow-in-the-dark) capabilities



custom graphic wraps



onsite graphic installation & removal



windows & window gaskets



wayfinding

MASS TRANSIT - INTERIOR SOLUTIONS

Frangible Panels

- Break away panels
- For emergency tool box, alarms, brakes and door openings

Metal Fabrication

- Interior and exterior panels
- Cut out panels
- Air grill covers
- Skirt covers
- Door skins





MASS TRANSIT - INTERIOR SOLUTIONS

Window Protection Film

- Anti-graffiti
- Protects window from scratchittis, shattering and graffiti

Window

Vandalism Protection: Scratch-resistant glass and anti-vandalism film can reduce damage from vandalism

Visual Comfort: Solar control glass (tinted or low-emissivity) cuts glare and reduces visual fatigue for both drivers and passengers. Heated glass keeps windows from fogging or frosting up.





interior components



exterior graphics



HPPL (glow-in-the-dark) capabilities



custom graphic wraps



onsite graphic installation & removal



windows & window gaskets



wayfinding

MASS TRANSIT - INTERIOR SOLUTIONS

Window

Thermal Comfort: The use of sealed units and solar control glass (tinted or low-emissivity) improves the thermal insulation of vehicles

Acoustical Comfort: Laminated glass cuts the transmission of outside noise

To Standards:

- FRA
- SAE
- ISO
- UL



Window Seals & Rubbers

- All profiles

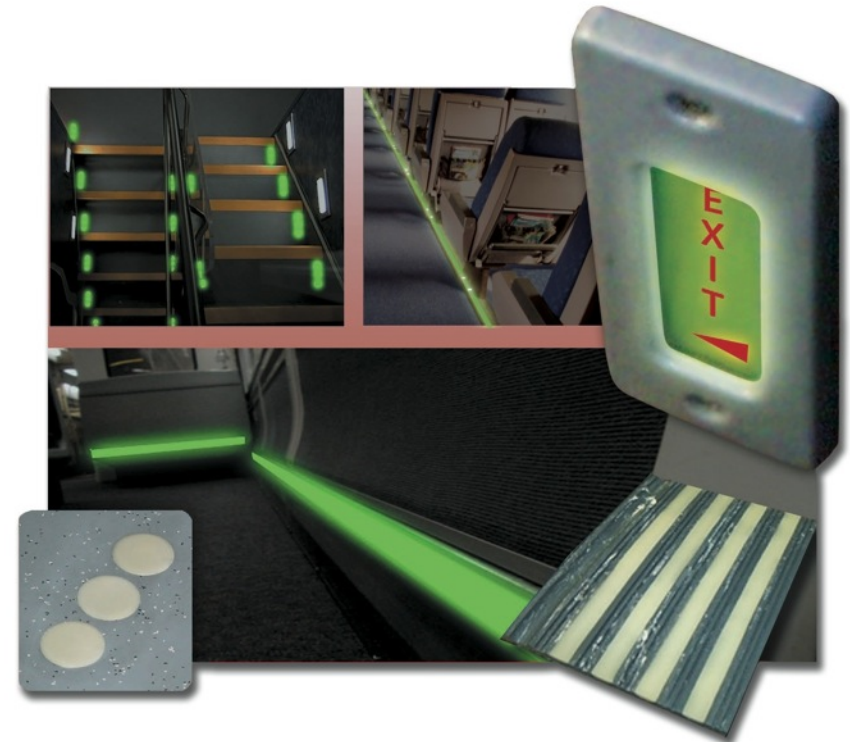


MASS TRANSIT - INTERIOR SOLUTIONS

Glow in the Dark LLEPM

Low Level Emergency Path Marking

- The INPS team has worked closely with many mass transit car builders and transit authorities to design, engineer and manufacture LLEPM systems that work both functionally and financially.





MASS TRANSIT - INTERIOR SOLUTIONS

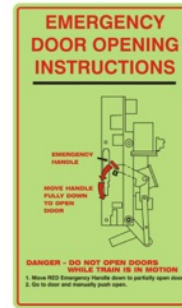
HPPL Decals

FireFly™ decals not only comply with the latest industry standards, but have set the bar in HPPL decals

FireFly™ decals are constructed with the best materials and finished with an anti-graffiti coating and adhesive to fit your application

Results: durable and easy to clean decals which meet or exceed APTA and FRA regulations providing clear and concise directions in the case of an emergency

Choose the name you can trust your life with FireFly™





interior components



exterior graphics



HPPL (glow-in-the-dark) capabilities



custom graphic wraps



onsite graphic installation & removal



windows & window gaskets



wayfinding

MASS TRANSIT - INTERIOR SOLUTIONS

Stairs

- Nosings
- Rubber
- Custom routed for anti-skid and glow in the dark
- Stair treads
- Anti-skid paint





interior components



exterior graphics



HPPL (glow-in-the-dark) capabilities



custom graphic wraps



onsite graphic installation & removal



windows & window gaskets



wayfinding

MASS TRANSIT - INTERIOR SOLUTIONS

Carpet Moulding

- Rubber and or TPE Thermoplastic Elastomer (holds carpet down and covers transition)
- HPPL Glow Photoluminescent (Safety)





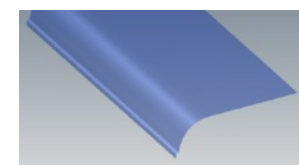
MASS TRANSIT - INTERIOR SOLUTIONS

Lights

LED Lights

- Custom LED emergency lighting solutions, economical running costs and lower power consumption.

Light lenses
Extruded plastic

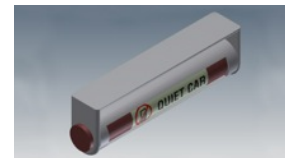




MASS TRANSIT - INTERIOR SOLUTIONS

Instructional Signs, Decals & Plates

- INPS designs and engineers innovative products to improve your station and platform safety
- Aluminum anodized, etched plates, stainless steel engraved, photo etched or powder coated
- Serial numbering and bar coding
- Polycarbonate embossed braille signage with adhesive that best suits our clients
- Great for high volume graphics
- Passes flame, smoke and toxicity tests

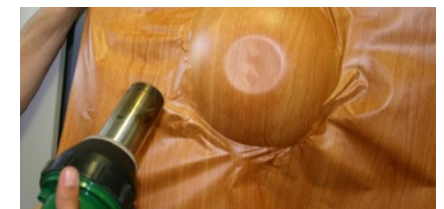
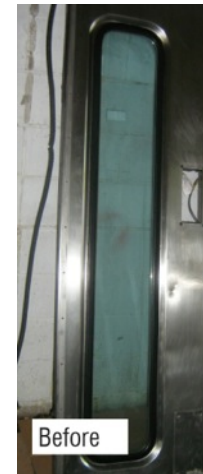
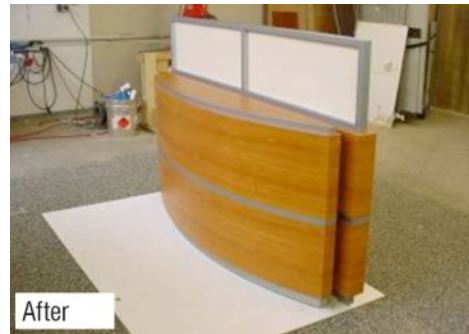




MASS TRANSIT - INTERIOR SOLUTIONS

Skins

- Mirror
- Door
- Di-Noc™
- Custom





interior components

exterior graphics

HPPL (glow-in-the-dark) capabilities

custom graphic wraps

onsite graphic installation & removal

windows & window gaskets

wayfinding

MASS TRANSIT - INSTALLATION



Before



Installation



After



MASS TRANSIT - EXTERIOR SOLUTIONS

Railroad Graphics

- INPS manufactures high quality, reflective exterior graphics; from full vehicle wraps to safety decals and name plates
- INPS is committed to working with only the best materials and suppliers in the industry
 - Locomotive interior and exterior
 - Railcar decals and kits
 - Railcar reflectors
 - Maintenance





interior components



exterior graphics



HPPL (glow-in-the-dark) capabilities



custom graphic wraps



onsite graphic installation & removal



windows & window gaskets



wayfinding

Thank you very much and we look forward to working with you in the future



INPS TRANSIT Solutions

A DIVISION OF INPS GROUP

We've designed, manufactured and installed railroad, transit and graphic products for over 40 years. INPS, your total transit solution.

ADA Compliant Signage
 Advertising Frames
 Ceilings
 Control Panels
 Custom Vacuum Forming
 Decals & Name Plates
 Doors
 Emergency
 Engineering & Conceptual Design
 Exterior Graphics (wraps, stencils)
 Flooring (safety strips, moulding)
 Graphic Design & Artwork

HPPL (Glow-in-the-Dark)
 Installation Services
 Interior Graphics
 LED Lighting
 Lens Covers
 LLEPM
 Panels & Plates
 Partitions
 Prototyping & Testing
 Route Maps
 Safety Decals
 Safety Strips (HPPL)

Seats
 Specialty Extrusions & Trim
 Stairs
 Station & Platform Signage
 Ticketing Machines
 Vacuum Formed Panels
 Walls
 Washrooms
 Wayfinding
 Window & Window Gaskets



www.inps.net 1 800 565.3509



we use... **3M**
 Commercial Graphics Products.

